

Applications

Teguflex HP is suitable for a variety of applications including heating systems, industrial plants with hot water, vapour and hot air etc.

Compensate for thermal elongation and misalignment.

Isolate vibrations, dampen noise and pressure surges in connection with engines, pumps, turbines etc.

The expansion joint is resistant to acids, alkalis, alcohols, esters and ketones.

Note: Do not use in connection anti-corrosive agents or other medium based on oil.

Design

The Teguflex HP expansion joint is composed of a special internal EPDM rubber compound, suitable for high temperature applications without harden.

The unique fabric reinforcement is resistant to hydrolysis which will endure high temperatures in combination with moisture and water. This ensure a long service life with remained properties.

Building length 130/200 mm.

Turnable flanges.

Teguflex® HP
Trelleborg TF BL 130/200

Expansion Joints
DN 25-DN 600

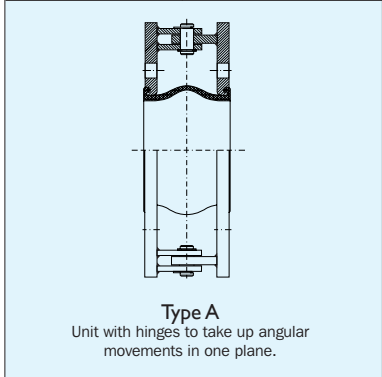
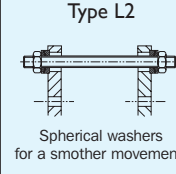
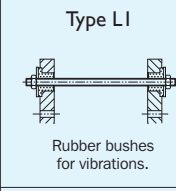
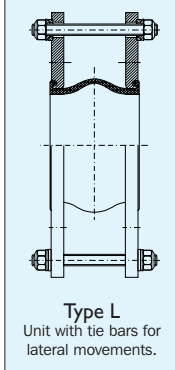
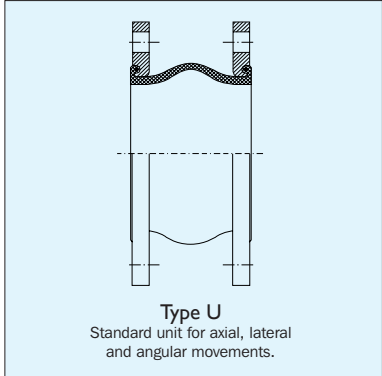


Materials

Colour Label	Inner tube	Outer cover	Max temp. °C	Applications
Double red HP	Spec. EPDM	Spec. EPDM	130°	Hot water, vapour, hot air, etc. at temperatures up to 130°C.

Pressure rating

Pressure	Temperature	DN 25 - DN 150	DN 200 - DN 300	DN 350 - DN 600
Max. working pressure	100°C 130°C	16 bar 10 bar	10 bar 6 bar	10 bar 6 bar
Test pressure	20°C	25 bar	15 bar	15 bar
Burst pressure	20°C	>60 bar	>60 bar	>30 bar



Teguflex HP BL 130/200 DN 25-DN 600

Flange qualities

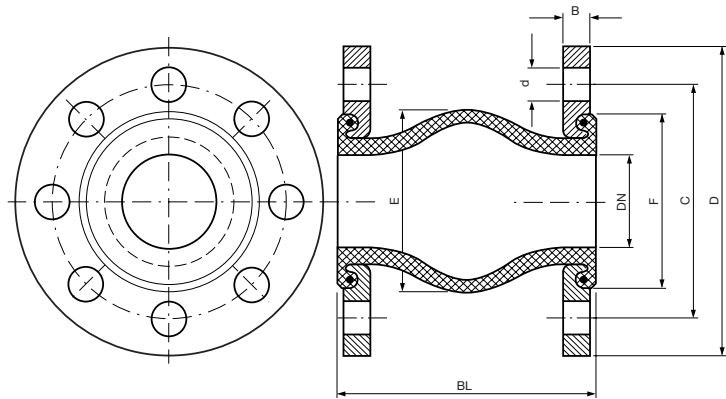
Yellow cromated steel flanges are supplied as standard, however other types are available: stainless steel, hot dipped galvanized, etc.

Flange measurements

DN 32-DN 600 DIN 2501 PN 6/10/16

(see Flange dimension table for details)

Other flange standards available. Please ask.



Dimensions and movements

DN mm	BL mm	Eff.cross-sectional area Q(cm ²)	(E) mm	(F) mm	Permissible movements				Max. vacuum		Weight	
					Com- pression mm	Elon- gation mm	Lateral mm	An- gular	W/o support ring bar	With support ring bar	Incl. flange kg	Incl. tied flanges kg
25/32	130	35	77	72	30	20	20	35°	0.8	1.0	3	4
40	130	45	85	80	30	20	20	35°	0.8	1.0	3	5
50	130	56	95	90	30	20	20	35°	0.7	1.0	4	5
65	130	79	110	105	30	20	20	30°	0.6	1.0	5	7
80	130	104	125	120	30	20	20	30°	0.5	1.0	6	8
100	130	136	145	140	30	20	20	25°	0.5	1.0	7	10
125	130	188	170	165	30	20	20	25°	0.4	1.0	8	12
150	130	254	195	190	30	20	20	15°	0.3	1.0	10	16
200	130	415	245	240	30	20	20	15°	0.3	1.0	15	23
250	130	615	295	290	30	20	20	10°	0.2	1.0	20	33
300	130	855	345	340	30	20	20	10°	0.2	1.0	24	44
350	200	1290	430	425	30	20	20	10°	0.2	1.0	32	54
400	200	1628	475	470	30	20	20	10°	0.2	1.0	45	71
450	200	2054	532	510	30	20	20	10°	0.2	1.0	52	81
500	200	2546	590	560	30	20	20	10°	0.2	1.0	63	100
600	200	3466	685	655	30	20	20	6°	0.2	1.0	95	140

Note: Maximum values do not apply simultaneously.

Optional equipment

Vacuum rings, Flame guard etc. are available.

Approvals

Germanischer Lloyds



ABS



97/23/CE



ISO 9001



ISO 14001



TRELLEBORG
ENGINEERED SYSTEMS

Trelleborg IESA, s.a., c/San Vicente, 25 - E01440 Izarra (Alava) - Spain.

Tfno: +34 945 437 090. Fax: +34 945 437 050. Email: iesa@trelleborg.com. Internet: www.teguflex.com

E-mail: expansion.joints@trelleborg.com Internet: www.trelleborg.com/iesa

Distributor:

KOMO-YU d.o.o.
Dalmatinska 44, Beograd
tel: 011/ 33 47 542, 33 47 582
fax: 011/ 33 47 590
www.komo-yu.co.yu