

STOP VALVES zFAG



Body material	Nominal pressure	Nominal diameter	Max. temperature
G Forged steel	H 160 bar G 100 bar F 63 bar	DN 15-50 DN 15-25 DN 15-25	450°C
F Cast steel	H 160 bar G 100 bar F 63 bar	DN 65-200 DN 32-200 DN 32-200	450°C
Q Alloy steel	H 160 bar G 100 bar F 63 bar	DN 15-200	550°C



correspond to the pressure equipment directive 2014/68/UE marking CE for DN≥32

FEATURES

- high tightness (leakproofness class - A acc. to EN - 12266 - 1
- compact settlement
- environment friendly
- tests acc. to EN - 12266 - 1
- face-to-face dimension according to EN 558 series 1

APPLICATION*

* not all of the applications are suitable for all of the executions

On the website www.zetkama.com.pl is a Chemical Resistance List, which specifies the parameters of work for a given medium.

industries



INDUSTRY



SHIPBUILDING
INDUSTRY



HEATING



REFRIGERATION
AND AIR
CONDITIONING



POWER
ENGINEERING

media



GLYCOL



INDUSTRIAL
WATER



DIATHERMIC OIL



STEAM



COMPRESSED
AIR



NEUTRAL
FLUIDS

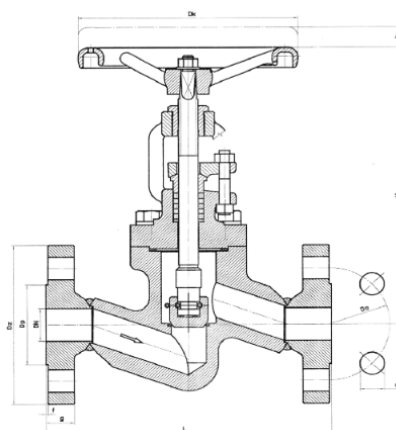
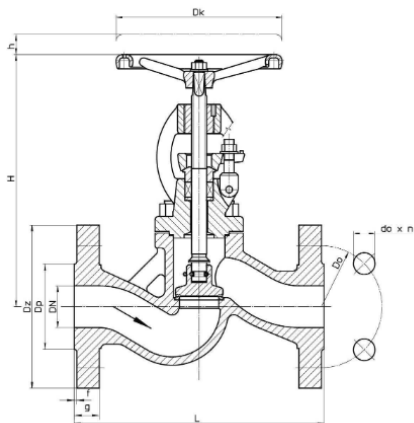
Data given can be changed without notice.

Edition 01/2020

MATERIALS, DIMENSIONS

DN 32-200 PN63, 100
DN 65-200 PN160
type 01, 04

DN 15-25 PN63, 100
DN 15-50 PN160
type 00



	Body material	G	F	Q	Q
	Type	00	01 04	00	01 04
1	Body	P245GH	GP240GH	13CrMo4-5	G17CrMo5-5
2	Seat ring	18-8 CrNi	18-8 CrNi	Stellite	Stellite
3	Bonnet	P245GH	GP240GH	13CrMo4-5	G17CrMo5-5
4	Stem	X20Cr13		X22CrMoV12-1	
5	Disc	X20Cr13		13CrMo4-5	
6	Gasket	Graphite		Graphite	
Max. temperature		450°C		550°C	

DN	32	40	50	65	80	100	150	200	15	20	25	32	40	50
Type	00 04								00					
L (mm)	260	260	300	340	380	430	550	650	210	230	230	---	300	350
f (mm)	3	3	3	3	3	3	3	3	2	2	2	2	3	3
g (mm)	-	28	30	34	36	40	50	60	20	22	24	---	28	30
H (mm)	250	270	290	360	380	500	580	727	195	195	255	270	270	390
h (mm)	22	22	22	41	46	55	70	85	12	12	14	18	18	30
Dk (mm)	200	200	200	280	360	360	400	500	120	120	160	200	200	250
Weight (kg)	15,7	20,0	25,5	43,0	51,6	120,0	250,0	---	6,0	9,0	11,0	---	---	---

Data given can be changed without notice.

Edition 01/2020

ZETKAMA Sp. z o.o.
Ul. 3 Maja 12
PL 57-410 Ścinawka Średnia

Tel. +48 74 8652 193
Tel. +48 74 8652 111
Fax +48 74 8652 199

E-mail export@zetskama.com.pl
www.zetskama.com

PRESSURE-TEMPERATURE RATINGS

Material	PN	Temperature [° C]																		
		-10 < do <50	100	150	200	250	300	350	400	450	460	470	480	490	500	510	520	530	540	550
P245GH GP240 GH	63	63	58,5	55,5	52,5	48,0	43,5	40,5	37,5	20,7	-	-	-	-	-	-	-	-	-	-
	100	100	92,8	88,0	83,3	76,1	69,0	64,2	59,5	32,8	-	-	-	-	-	-	-	-	-	-
	160	160	148,5	140,9	133,3	121,9	110,4	102,8	95,2	52,5	-	-	-	-	-	-	-	-	-	-
13CrMo4-5 G17 CrMo 5-5	63	63	63	63	63	63	63	60,0	56,7	53,1	50,5	47,9	45,4	42,8	41,1	34,8	28,2	23,4	18,3	14,7
	100	100	100	100	100	100	100	95,2	90,0	84,2	80,2	76,1	72,0	68,0	65,2	55,2	44,7	37,1	29,0	23,3
	160	160	160	160	160	160	156	146	137	124	119	114	109	99	89	79	70	59	46	37

FLANGE DIMENSIONS ACC. PN-EN 1092-1

DN		15	20	25	32	40	50	65	80	100	150	200
PN63	D (mm)	105	130	140	155	170	180	205	215	250	345	415
	K (mm)	75	90	100	110	125	135	160	170	200	280	345
	nxd (mm)	14X4	18X4	18X4	22X4	22X4	22X4	22x8	22x8	26x8	33x8	36x12
PN100	D (mm)	105	130	140	155	170	195	220	230	265	355	430
	K (mm)	75	90	100	110	125	145	170	180	210	290	360
	nxd (mm)	14X4	18X4	18X4	22X4	22X4	26X4	26x8	26x8	30x8	33x12	36x12
PN160	D (mm)	105	130	140	155	170	195	220	230	265	355	430
	K (mm)	75	90	100	110	125	145	170	180	210	290	360
	nxd (mm)	14X4	18X4	18X4	22x4	22x4	26x4	26x8	26x8	30x8	33x12	36x12

Other type of valves on request:

- stellited seat
- hardened disc
- stellited disc
- other

Data given can be changed without notice.

Edition 01/2020

TYPE

Figure	Body material	Nominal diameter	Nominal pressure	Type
215	G forged steel P245GH	15-50 mm	H 160 bar	00 stem and disc connection - fixed; stem, disc -stainless steel
		15-25 mm	G 100 bar	00 stem and disc connection - fixed; stem, disc -stainless steel
		15-25 mm	F 63 bar	00 stem and disc connection - fixed; stem, disc -stainless steel
	F cast steel GP240GH	65-200 mm	H 160 bar	04 stem and disc connection - separable; balancing disc; stem, disc -stainless steel
		32-65 mm	G 100 bar	01 stem and disc connection - fixed; stem, disc -stainless steel
		32-65 mm	F 63 bar	01 stem and disc connection - fixed; stem, disc -stainless steel
		80-200 mm	G 100 bar	04 stem and disc connection - separable; balancing disc; stem, disc -stainless steel
		80-200 mm	F 63 bar	04 stem and disc connection - separable; balancing disc; stem, disc -stainless steel
		Q alloy steel 13CrMo4-5	15-50 mm	H 160 bar
	15-25 mm		G 100 bar	00 stem and disc connection - fixed; stem, disc -stainless steel
	15-25 mm		F 63 bar	00 stem and disc connection - fixed; stem, disc -stainless steel
	Q alloy steel G17CrMo5-5	65-200 mm	H 160 bar	04 stem and disc connection - separable; balancing disc; stem, disc -stainless steel
		32-65 mm	G 100 bar	01 stem and disc connection - fixed; stem, disc -stainless steel
		32-65 mm	F 63 bar	01 stem and disc connection - fixed; stem, disc -stainless steel
		80-200 mm	G 100 bar	04 stem and disc connection - separable; balancing disc; stem, disc -stainless steel
		80-200 mm	F 63 bar	04 stem and disc connection - separable; balancing disc; stem, disc -stainless steel

Data given can be changed without notice.

Edition 01/2020

ORDERING

Figure	Body material	Nominal diameter	Nominal pressure	Type
215	G forged steel P245GH	15-50 mm	H 160 bar	00 stem and disc connection - fixed; stem, disc -stainless steel

Order example acc. index

215 G 050 H 00

Stop valve, ends welded, form straight
 Forged steel P245GH
 Nominal diameter (mm)
 Nominal pressure PN 160
 Stem and disc connection - fixed; stem, disc -stainless steel

215
 G
 050
 H
 00

Data given can be changed without notice.

Edition 01/2020