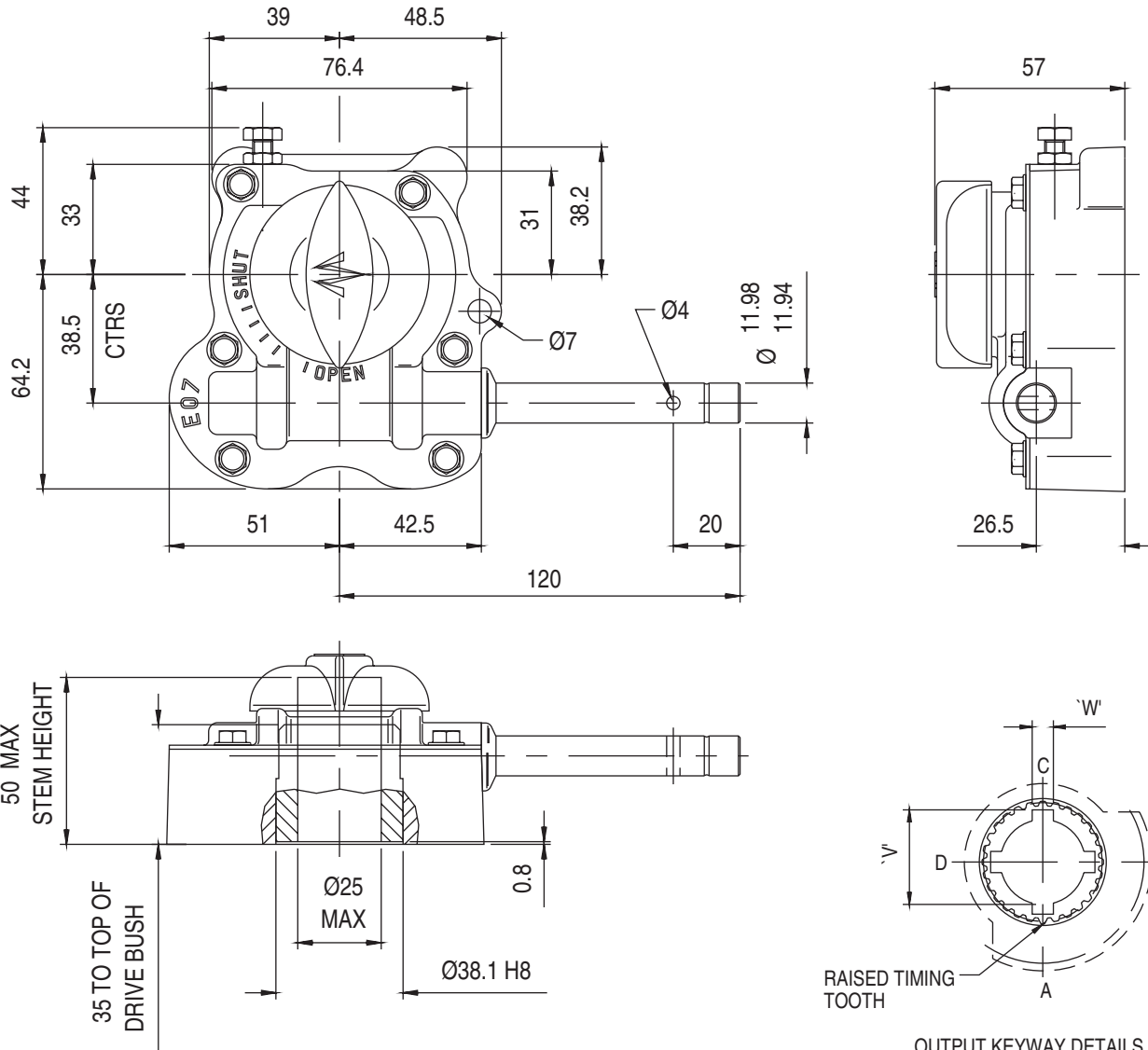


# ACTUATOR TYPE - E07



## GENERAL INFORMATION

TRAVEL.....90° +/- 5° AT CLOSED END  
 RATIO.....40:1  
 TURNS TO CLOSE.....10

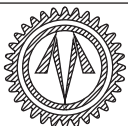
MECHANICAL ADVANTAGE.....7.0 +/- 10%  
 MAXIMUM OUTPUT TORQUE.....200 Nm  
 MAXIMUM INPUT TORQUE.....28.6 Nm

MOUNTING HOLE DETAIL: PREFERRED....F05 & F07  
 MAXIMUM.....F07 (4 x M8 ON 70 PCD)  
 MINIMUM.....F05 (4 x M6 ON 50 PCD)

APPROXIMATE WEIGHT.....1.6 Kg (excluding handwheel)

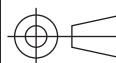
OUTPUT KEYWAY DETAILS  
 SHOWN IN OPEN POSITION

HANDWHEEL DATA	
TYPE	DIA
SR5	125



**OPPERMAN MASTERGEAR**

Hambridge Road, Newbury, Berkshire, RG14 5TS. ENGLAND  
 Telephone: (01635) 811500 Telefax: (01635) 811501



DIMENSIONS IN	SCALE	DRAWING No.
MM	1:2	ME-15405

THIS DRAWING/DESIGN IS THE PROPERTY OF OPPERMAN MASTERGEAR LTD. AND ©  
 MUST NOT BE USED OR COPIED WITHOUT THEIR SPECIFIC WRITTEN CONSENT.

REV. A  
 23Oct98