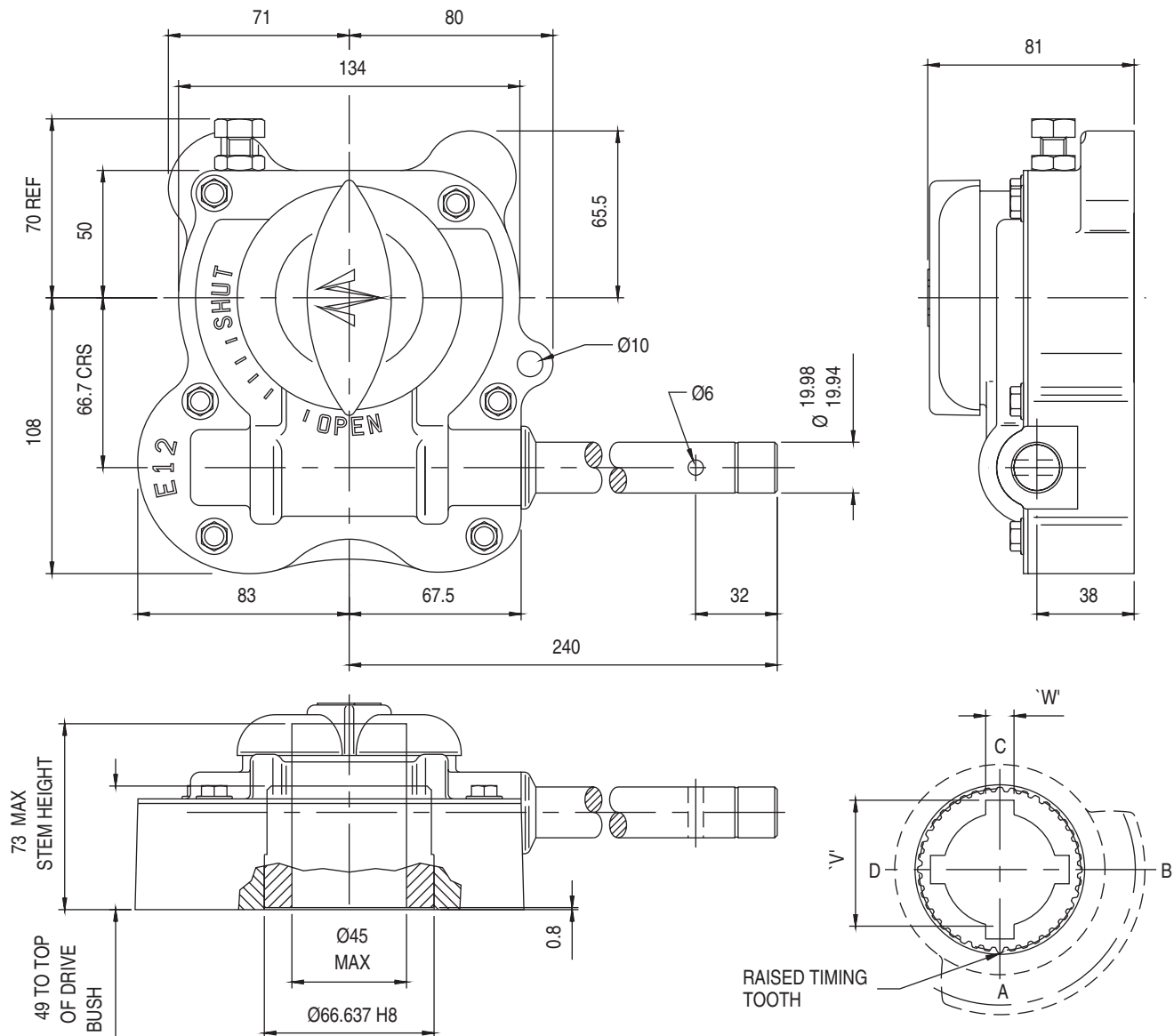


ACTUATOR TYPE - E12



GENERAL INFORMATION

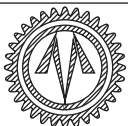
TRAVEL.....90° +/- 5° AT CLOSED END
 RATIO.....42:1
 TURNS TO CLOSE.....10.5

MECHANICAL ADVANTAGE.....8.0 +/- 10%
 MAXIMUM OUTPUT TORQUE.....1000 Nm
 MAXIMUM INPUT TORQUE.....125 Nm

MOUNTING HOLE DETAIL: PREFERRED....F10 & F14
 MAXIMUM.....F14 (4 x M16 ON 140 PCD)
 MINIMUM.....F10 (4 x M10 ON 102 PCD)

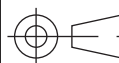
APPROXIMATE WEIGHT.....6.6 Kg (excluding handwheel)

HANDWHEEL DATA	
TYPE	DIA
SR14	350
R18	457



OPPERMAN MASTERGEAR

Hambridge Road, Newbury, Berkshire, RG14 5TS. ENGLAND
 Telephone: (01635) 811500 Telefax: (01635) 811501



DIMENSIONS IN	SCALE	DRAWING No.
MM	1:2.5	ME-15407

THIS DRAWING/DESIGN IS THE PROPERTY OF OPPERMAN MASTERGEAR LTD. AND ©
 MUST NOT BE USED OR COPIED WITHOUT THEIR SPECIFIC WRITTEN CONSENT.

REV. A
 23FEB98